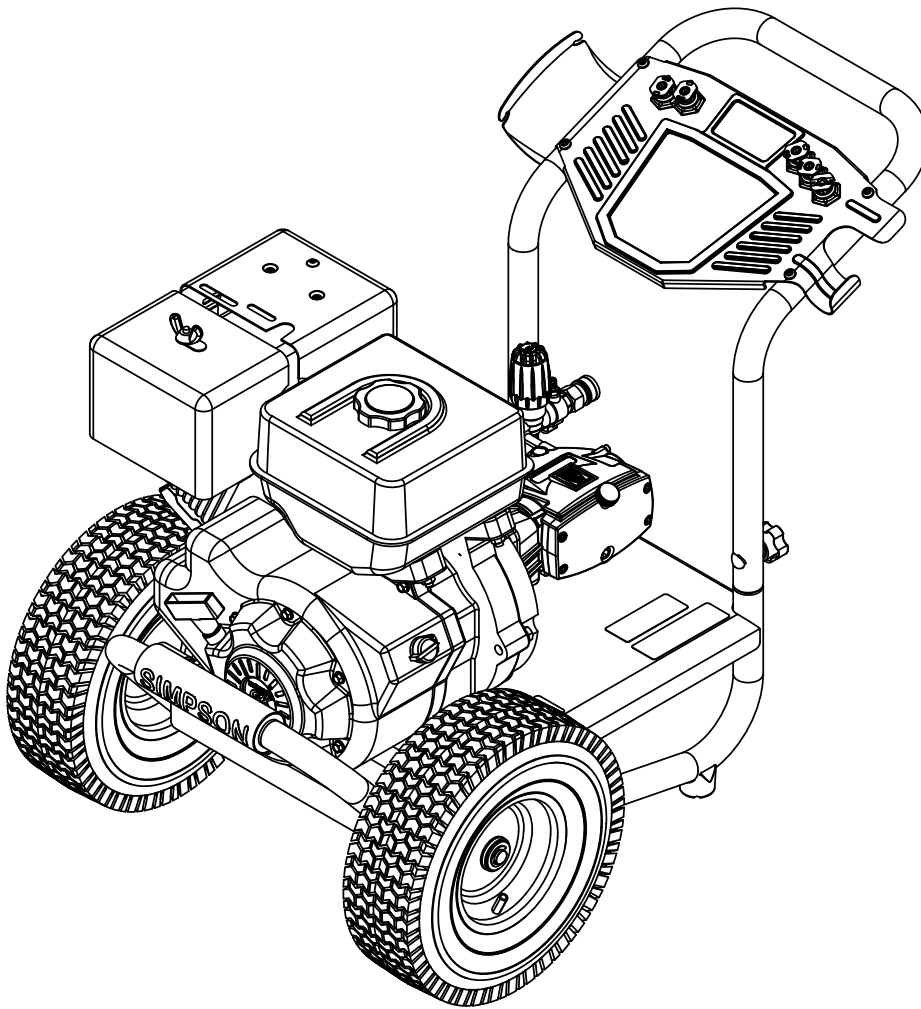


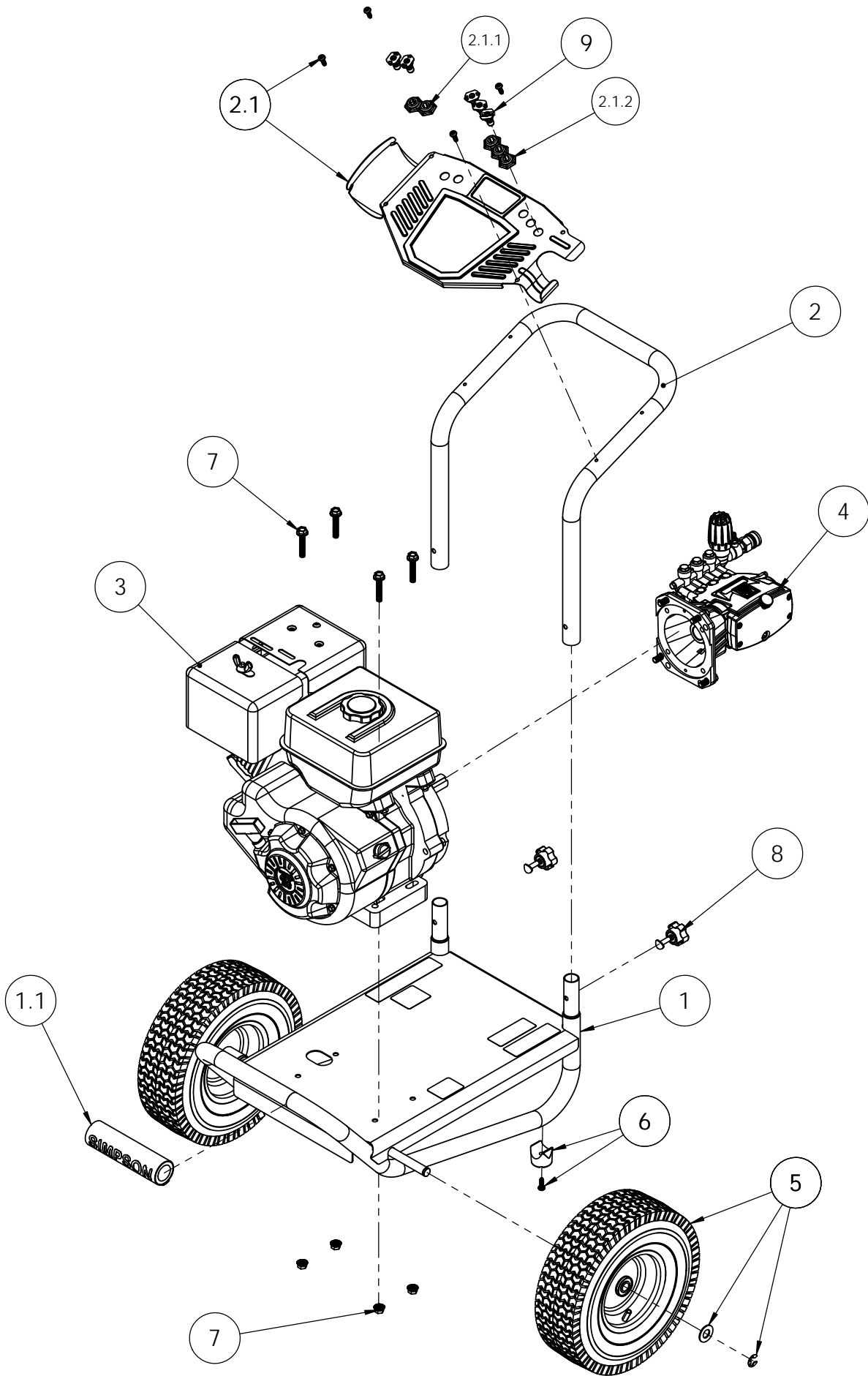
ITEM	PART NO	QTY.	DESCRIPTION
1	7109234	1	FRAME, BASE ASSY, 13.25 SILVER W/LABELS
1.1	7106671	1	HANDLE GRIP, SIMPSON BLACK W/ WHITE LETTERING
2	7110650	1	HANDLE SERVICE ASSEMBLY 60919
2.1	7110649	1	DASHBOARD SERVICE ASSEMBLY 60919
2.1.1	7107067	1	HOLDER, NOZZLE 2PC RUBBER STRIP
2.1.2	7107068	1	HOLDER, NOZZLE 3PC RUBBER STRIP
3	7107286	1	ENGINE, SVC ASSEMBLY GX390 RED HONDA
4	7110179	1	PUMP SERVICE ASSY, COMET EW4040
5	7105376	2	KIT, 13" WHEEL SERVICE
6	7109385	2	FOOT SERVICE KIT
7	7103277	1	HARDWARE KIT, ENGINE MOUNTING
8	7103279	2	HARDWARE KIT, HANDLE MOUNTING
9	7101683	1	NOZZLE SET, 4.0 5PC 1/4" QC-M



	NAME	DATE
DRAWN	JHS	DEC 2017
CHECKED	DH/OSW	DEC 2017
ENG APPR.	OSW	DEC 2017
MFG APPR.	-	-
Q.A. APPR.	-	-
SERVICE APPR.	DH	DEC 2017

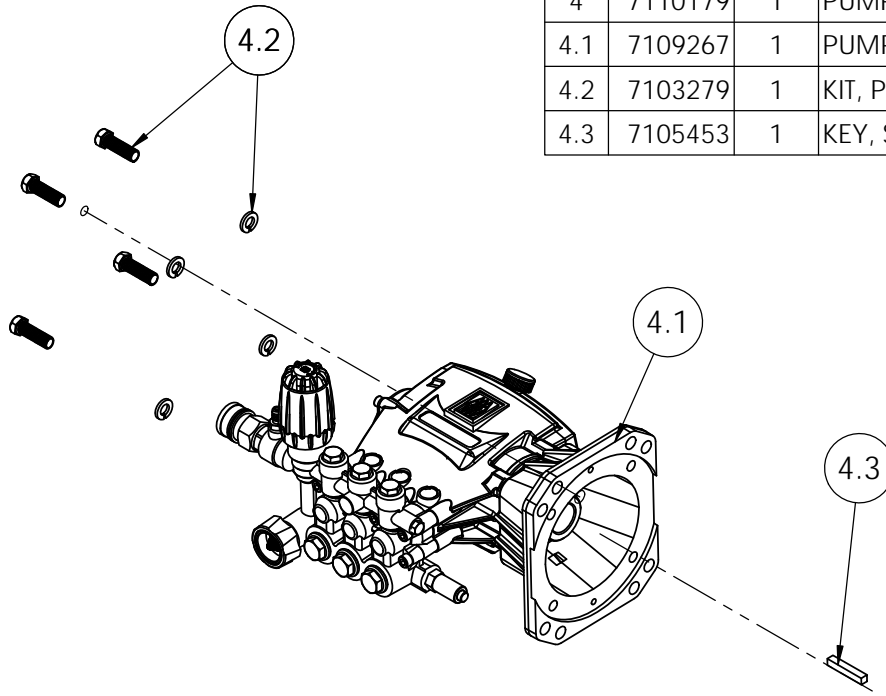
**PROPRIETARY AND CONFIDENTIAL**  
 THE INFORMATION CONTAINED IN THIS DRAWING IS THE SOLE PROPERTY OF FNA-GROUP. ANY REPRODUCTION IN PART OR AS A WHOLE WITHOUT THE WRITTEN PERMISSION OF FNA-GROUP IS PROHIBITED.

<b>FNA-GROUP</b>		
1265 INDUSTRIAL STREET, DECATUR, AR 72722		
TITLE:  PS60919 4400PSI@4.0GPM		
SIZE	DWG. NO.	REV.
<b>A</b>	60919-S	<b>A</b>
SCALE:	N/A	ECN# EC17-0423
		SHEET 1 OF 3

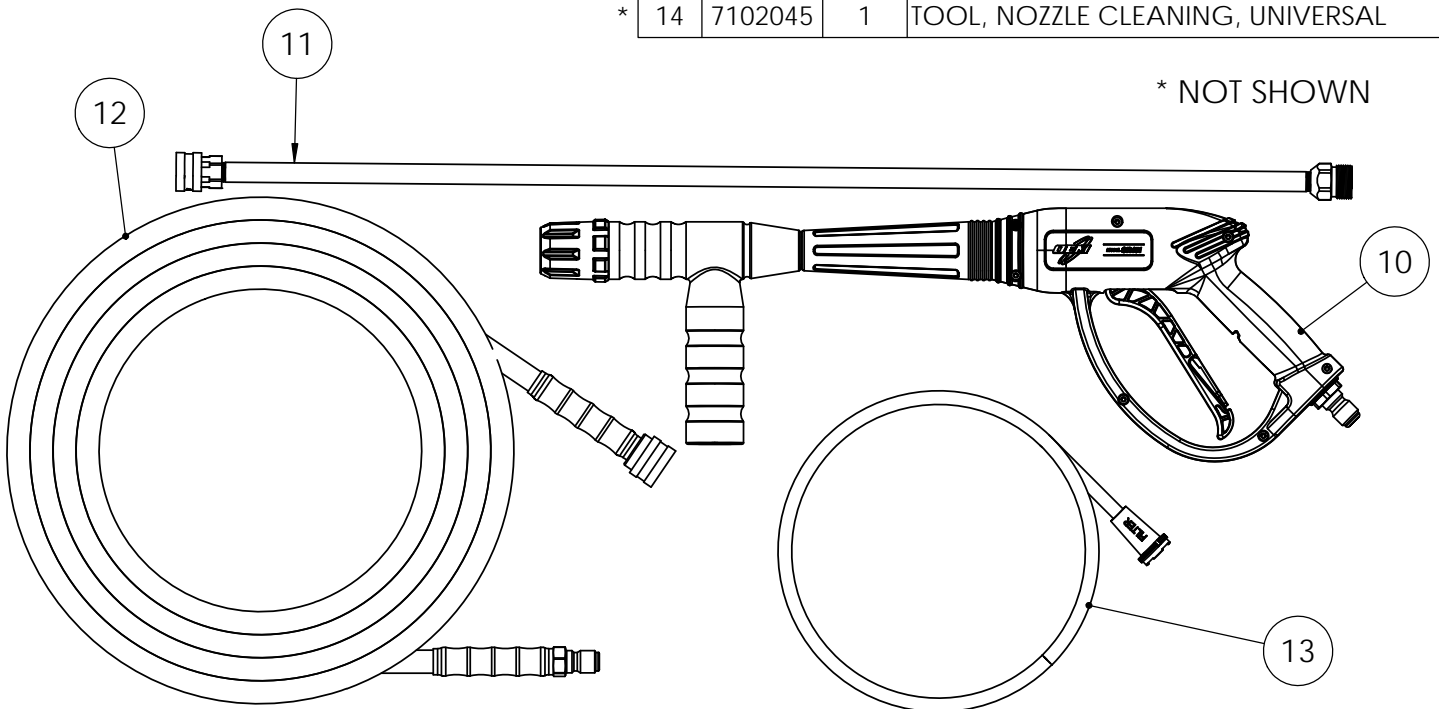


SIZE	DWG. NO.	REV.
<b>A</b>	<b>60919-S</b>	<b>A</b>
SCALE: N/A	EC17-0423	SHEET 2 OF 3

ITEM	PART NO	QTY.	DESCRIPTION
4	7110179	1	PUMP SERVICE ASSY, COMET EW4040
4.1	7109267	1	PUMP, COMET EWD4040 W/ POWER BOOST
4.2	7103279	1	KIT, PUMP MOUNTING HARDWARE
4.3	7105453	1	KEY, SHAFT 1/4" X 1/4" X 1-1/2"



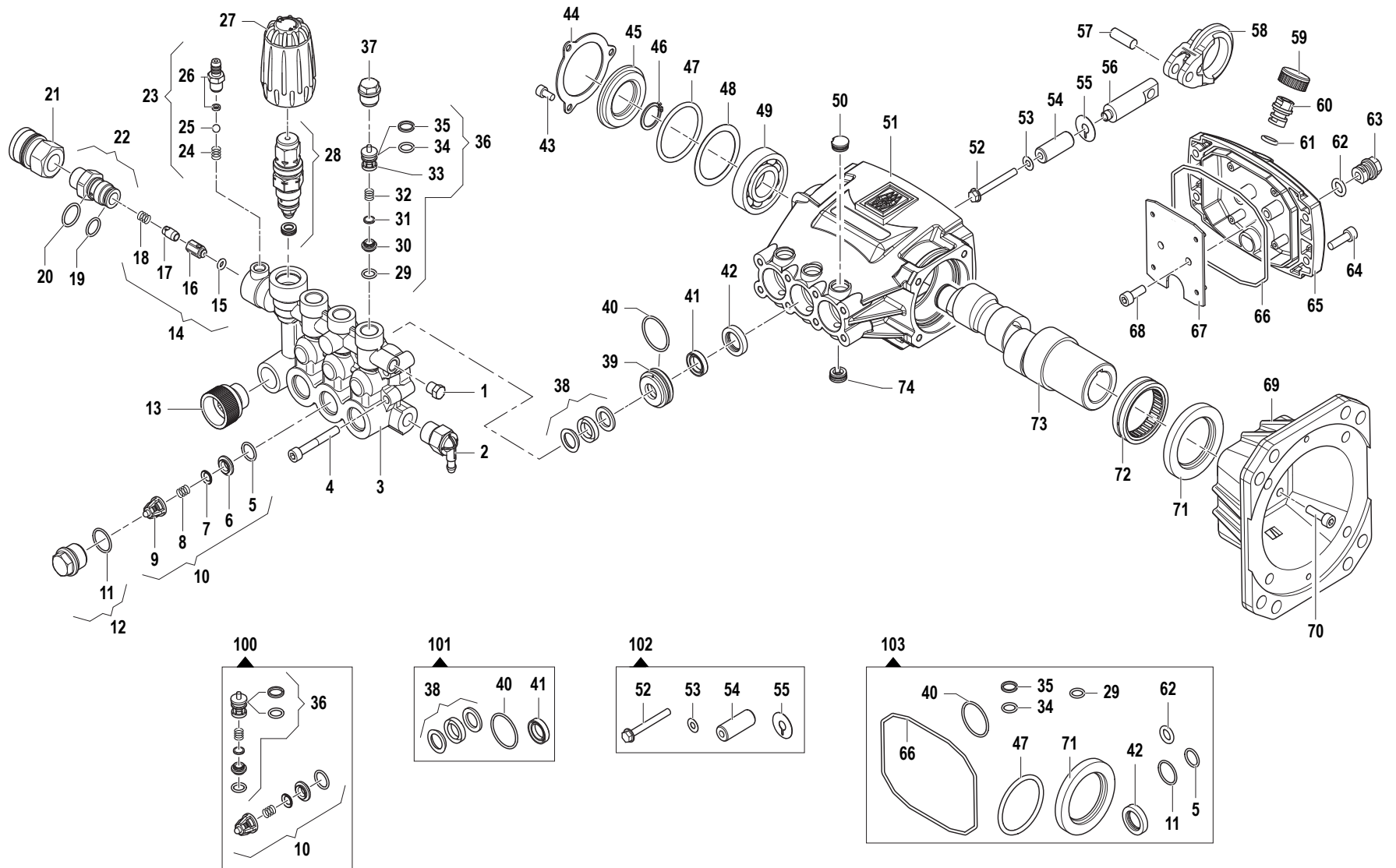
ITEM	PART NO	QTY.	DESCRIPTION
10	7108127	1	GUN, 4500PSI, 6.6GPM, 3/8 QC(M) W/SIDE H
11	7103261	1	LANCE, 31" 1/4"QC-F x M22(M)
12	7103642	1	HOSE, 3/8" x 50' x 4500PSI WIRE BRAID
13	7102207	1	KIT, SVC ASSY SOAP HOSE W/PLASTIC FILTER
* 14	7102045	1	TOOL, NOZZLE CLEANING, UNIVERSAL



SIZE	DWG. NO.	REV.
<b>A</b>	60919-S	<b>A</b>
SCALE: N/A	ECN# EC17-0423	SHEET 3 OF 3

# FNA 7109267 PUMP

## EXPLODED VIEW



**7109267 PARTS LIST**

ITEM	PART	DESCRIPTION	QTY. Per Pump	ITEM	PART	DESCRIPTION	QTY. Per Pump
1	N/A	Cap G1/8"	1	42	N/A	Oil Seal Ø15 X 24 X 5	3
2	7110287	Thermo Valve Kit 1/4	1	43	7110293	Screw M5 x 10	3
3	N/A	Pump Manifold	1	44	7110294	Crankcase Flange	1
4	7110288	Screw M8x45	8	45	7104960	Transparent Cover	1
5	N/A	O-Ring Ø1,78 x 12,42	3	46	7110295	Outer Seger Ø20	1
6	N/A	Suction Valve Seat	3	47	7110296	O-Ring Ø3,53 X 44,04	1
7	N/A	Suction Valve	3	48	7110297	Spacer Ø41 X 51,8 X 0.5	1
8	N/A	Suction Spring	3	49	7110298	Ball Bearing Ø13 X 52 X 15	1
9	N/A	Suction Valve Cage	3	50	7110299	Cap	3
10	N/A	Suction Valve Ass. y Kit	3	51	N/A	Pump Crankcase	1
11	N/A	O-Ring Ø1,78 x 17,17	3	52	N/A	Special Screw M5 X 45	3
12	N/A	Suction Cap Kit	3	53	N/A	Washer Ø5,2 X 11,7 X 0.3	3
13	7110289	Coupling Kit 3/4-1/2"	1	54	N/A	Ceramic Bushing Ø13	3
14	N/A	Check Valve Kit	1	55	N/A	Washer	3
15	N/A	O-Ring Ø2,4 X 4,3	1	56	7110300	Piston Guide	3
16	N/A	Check Valve	1	57	7110301	Gudgeon Pin Ø8 X 25	3
17	N/A	Ejector	1	58	7110302	Con. Rod	3
18	N/A	Spring	1	59	7110303	Plug Cover	1
19	N/A	O-Ring Ø1,78 x 12,42	1	60	7110304	Breather Plug	1
20	N/A	O-Ring Ø1,78 x 15,6	1	61	7110305	O-Ring Ø2,62 X 9,13	1
21	N/A	Quick Coupler 3/8 NPT	1	62	7110306	O-Ring Ø3 X 9	1
22	7105404	Injector Body Kit 3/8 NPT	1	63	N/A	Plug	1
23	N/A	Detergent Coupling Kit	1	64	7110307	Screw M5x20	4
24	7105407	Detergent Spring	1	65	7110308	Crankcase Cover	1
25	7105408	Detergent Ball 7/32"	1	66	7110309	O-Ring Ø12 X 100	1
26	7105409	Detergent Coupling	1	67	7110310	Plate	1
27	7110290	Knob	1	68	7110311	Screw M6 X 16	1
28	7105410	Reg. Valve Kit + Seat	1	69	7110312	Flange	1
29	N/A	O-Ring Ø1,78 x 8,73	3	70	7110313	Screw M5x20	4
30	N/A	Delivery Valve Seat	3	71	7110314	Oil Seal Ø40 X 62 X 7	1
31	N/A	Delivery Valve	3	72	7110315	Roller Bearing Ø45 X 52 X 16	1
32	N/A	Delivery Spring	3	73	N/A	Eccentric Shaft 1"	1
33	N/A	Delivery Valve Cage	3	74	7110316	Drilled Cap	3
34	N/A	O-Ring Ø1,78 x 9,25	3				
35	N/A	Anti-Extr. Ring	3				
36	N/A	Delivery Valve Ass.y Kit	3				
37	7110291	Delivery Cap	3				
						<b>PUMP SERVICE KITS</b>	
38	N/A	Packing Ø13 X 20 X 4,5	3	100	7109627	Complete Valve Kit	1
39	7110292	Packing Retainer Ø13	3	101	7107528	Water Seal Kit	1
40	N/A	O-Ring Ø1,78 X 26,7	3	102	7107527	Piston Kit	1
41	N/A	Packing Ø13 X 20 X 4,5	3	103	7109628	Oil Seal Kit	1